

Fast, Effective Impact Cleaning

Alfa Laval TJ MultiJet 65 Rotary Jet Head (4 nozzles)

Application

The Toftejorg MultiJet 65 rotary jet head provides 360° indexed impact cleaning over a defined time period. It is automatic and represents a guaranteed means of achieving quality assurance from cleaning tanks. Storage and transportation tanks between 3,000 and 7,000 m³. Used on tankers and in petro-chemical and chemical processing industries. The MultiJet 65 is widely used in product carriers.

Working principle

The flow of the cleaning fluid makes the nozzles perform a geared rotation around the vertical and horizontal axis. In the first cycle, the nozzles lay out a coarse pattern on the tank surface. The following cycles make the pattern gradually more dense until a full pattern is reached after 8 cycles.

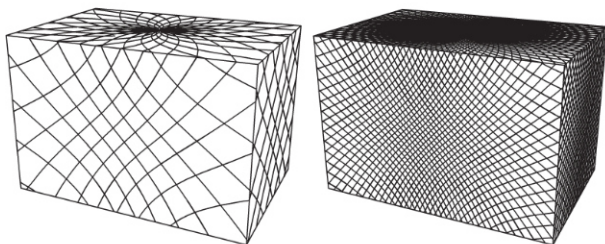


TECHNICAL DATA

Lubricant: Self-lubricating with the cleaning fluid
 Max throw length: 9 - 26 m
 Impact throw length: 5 - 14 m

Pressure
 Working pressure: 5-12 bar
 Recommended pressure: 5-10 bar
 Capacity; 38-83 m³/hour
 Installation 2 1/2" BSP/NPT
 Minimum required passage See dimension drawings

Cleaning Pattern



First cycle

Full pattern

The above drawings show the cleaning pattern achieved on a cylindrical horizontal vessel. The difference between the first cycle and the full pattern represents the number of additional cycles available to increase the density of the cleaning.

PHYSICAL DATA

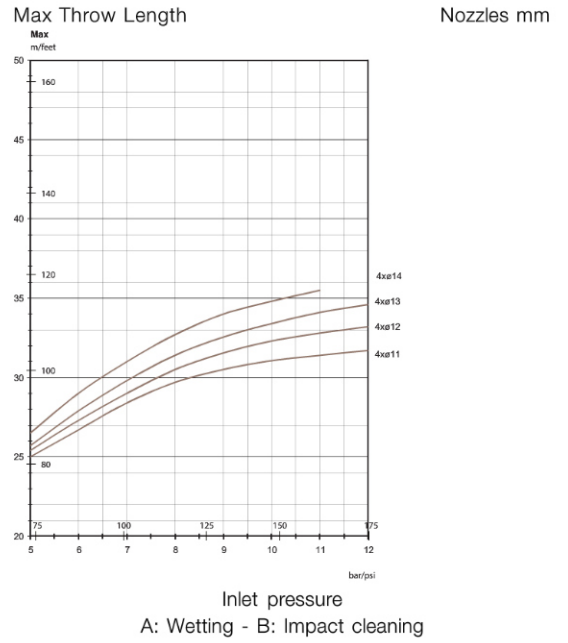
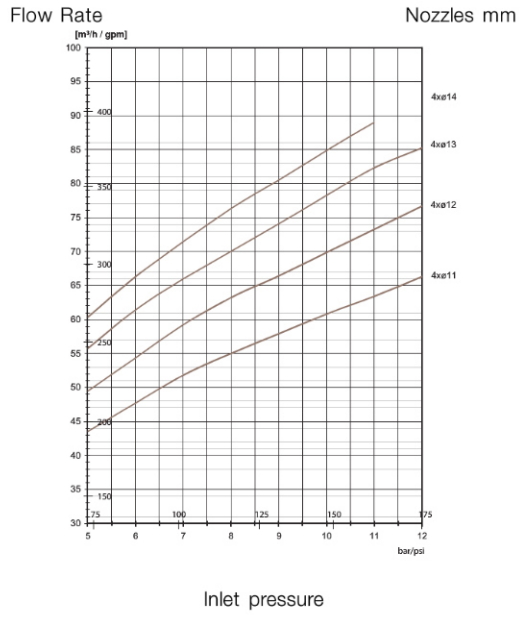
Materials
 1,4401, 1.4404 (316L) PTFE, PVDF, Carbon

Surface finish: Mat

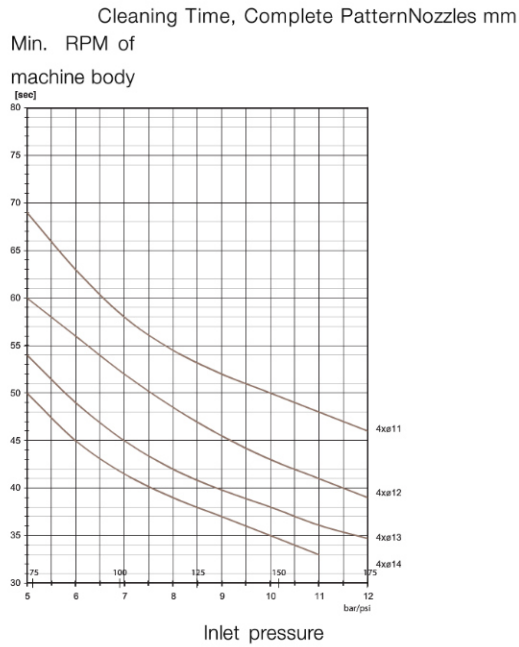
Temperature
 Max. working temperature: 95 °C
 Max. ambient temperature: 140 °C

Weight: 13.6 kg

Certificates
 2.1

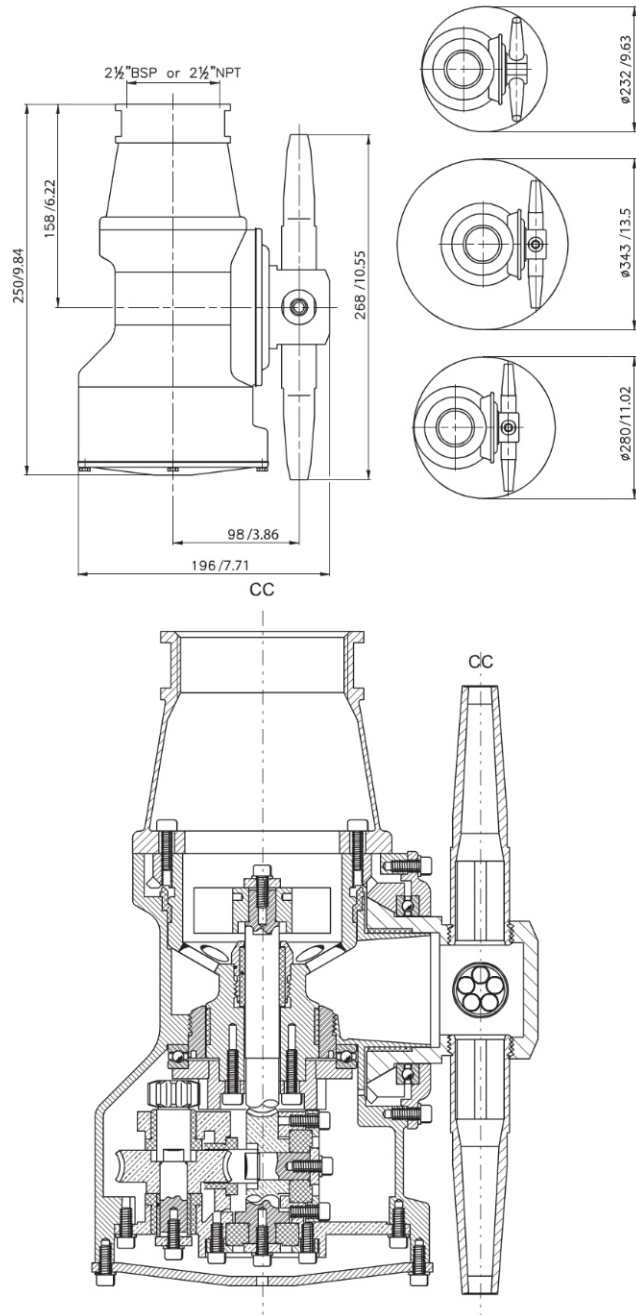


Flow rate



5.3

Dimensions (mm / inch)



Ordering

Please specify nozzle size, inlet/guide configuration, connections and confirm application suitability.